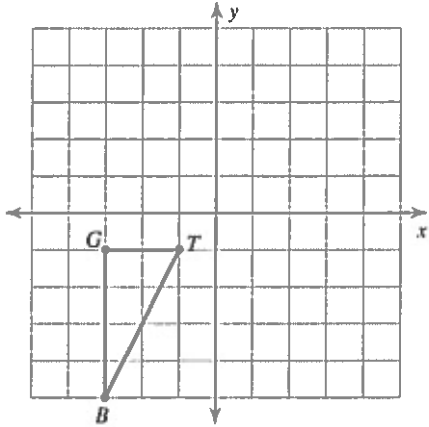


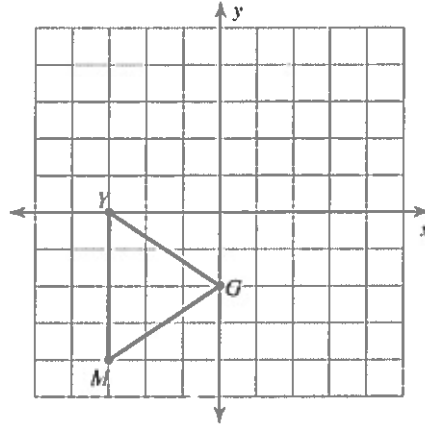
# Translations

Graph the image of the figure using the transformation given.

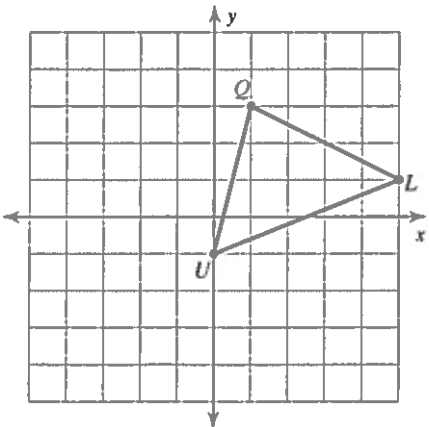
1) translation: 5 units right and 1 unit up



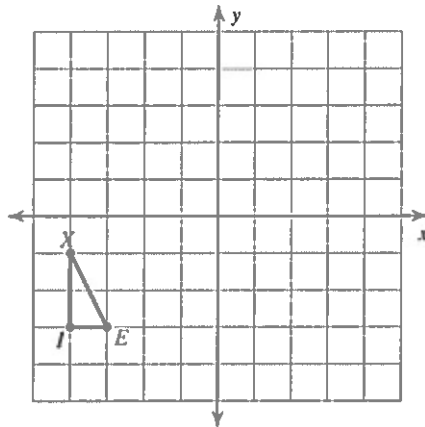
2) translation: 1 unit left and 2 units up



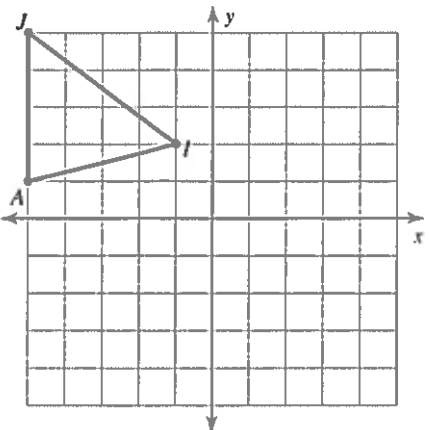
3) translation: 3 units down



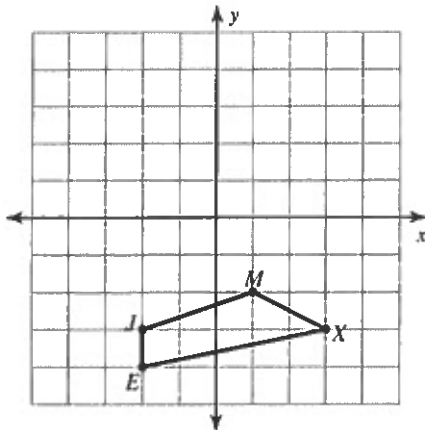
4) translation: 5 units right and 2 units up



5) translation: 4 units right and 4 units down

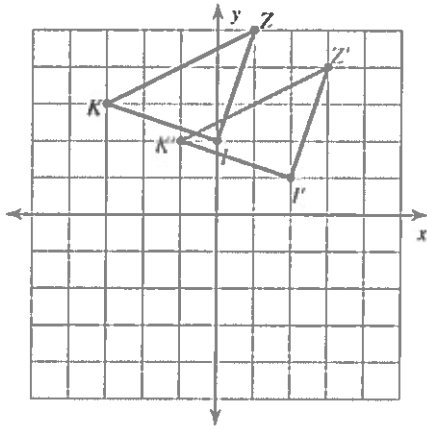


6) translation: 2 units right and 3 units up

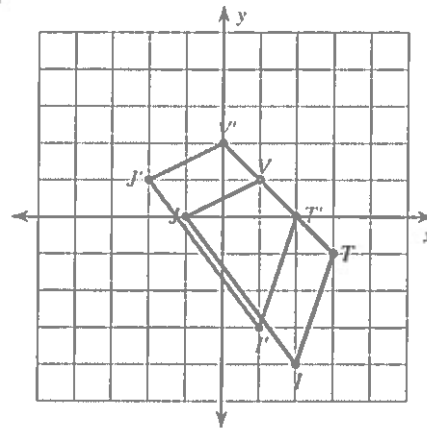


Write a rule to describe each transformation.

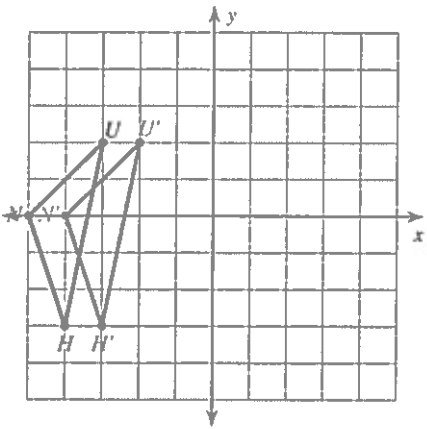
7)



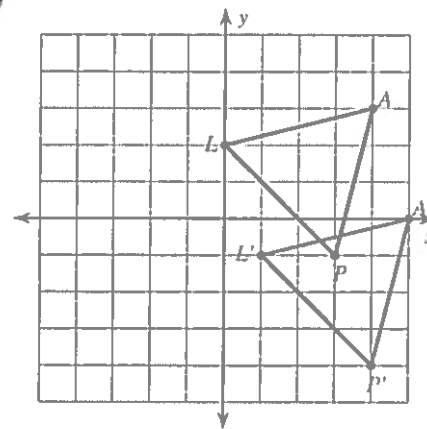
8)



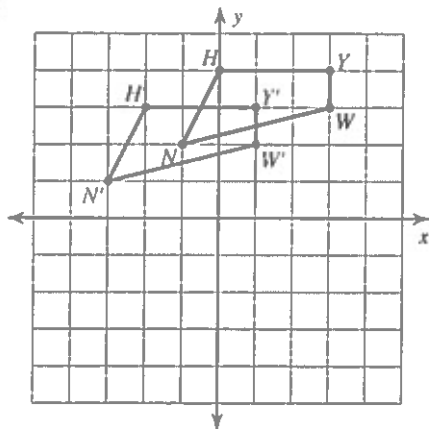
9)



10)



11)



12)

